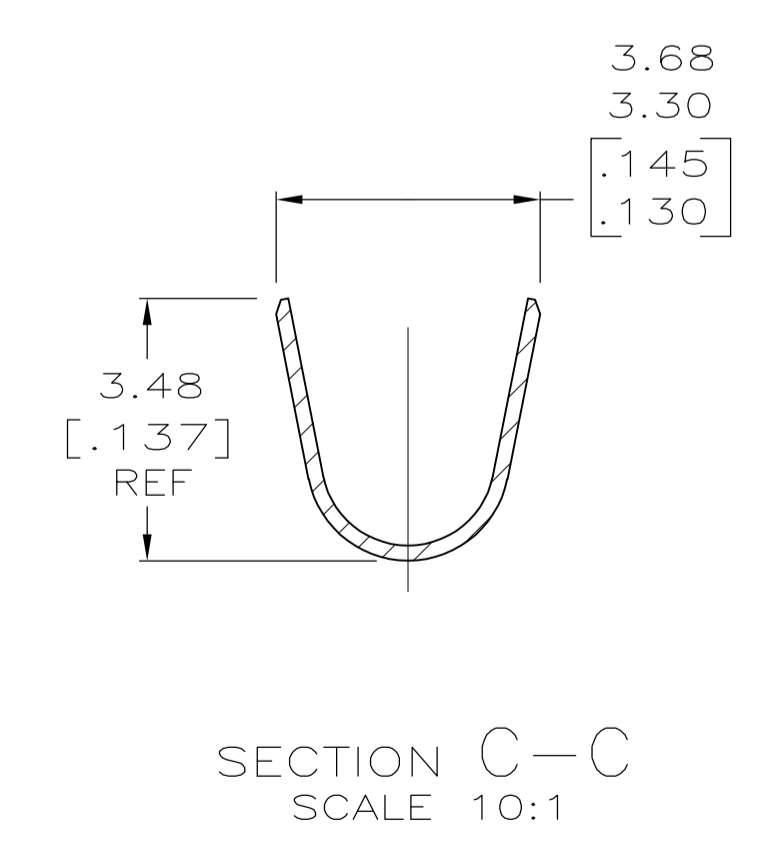
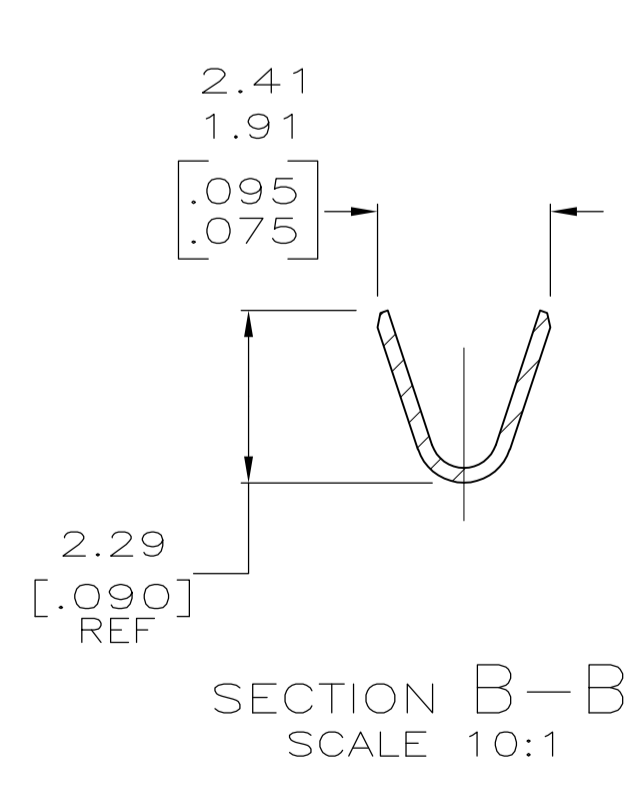
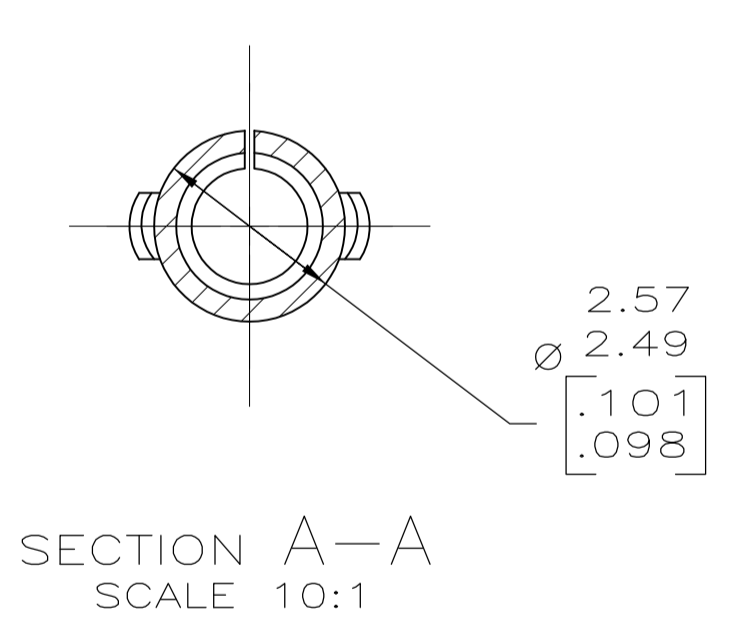
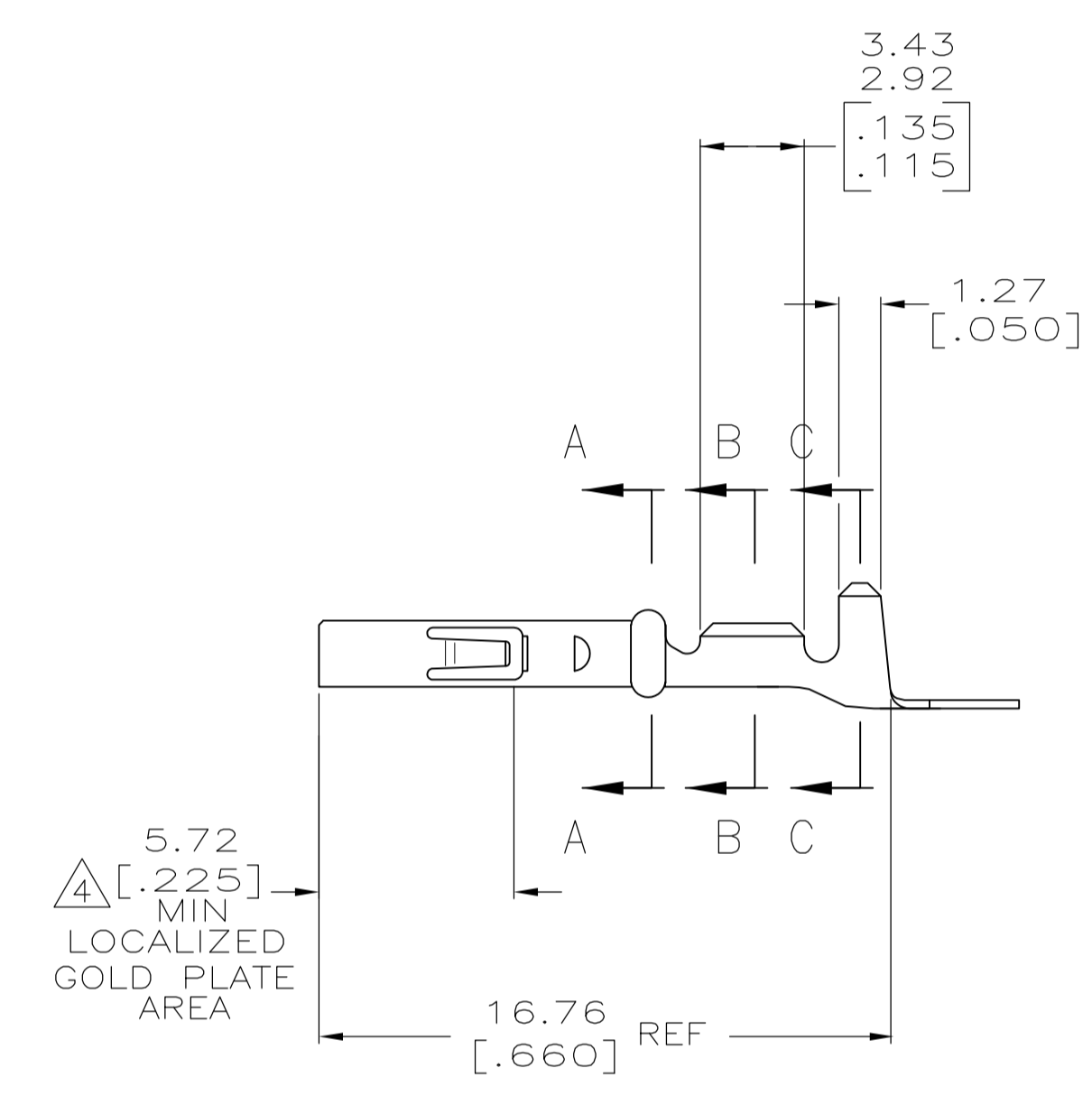
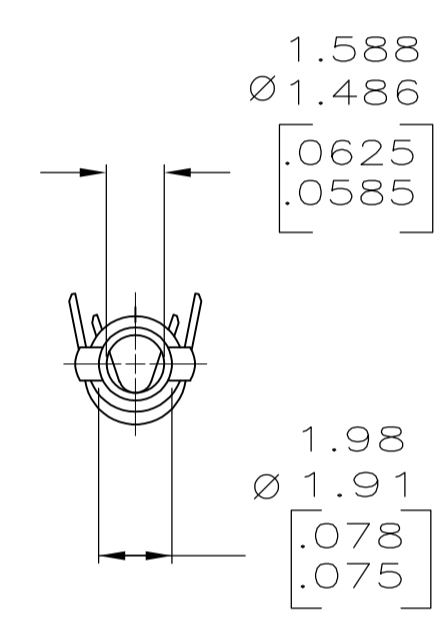
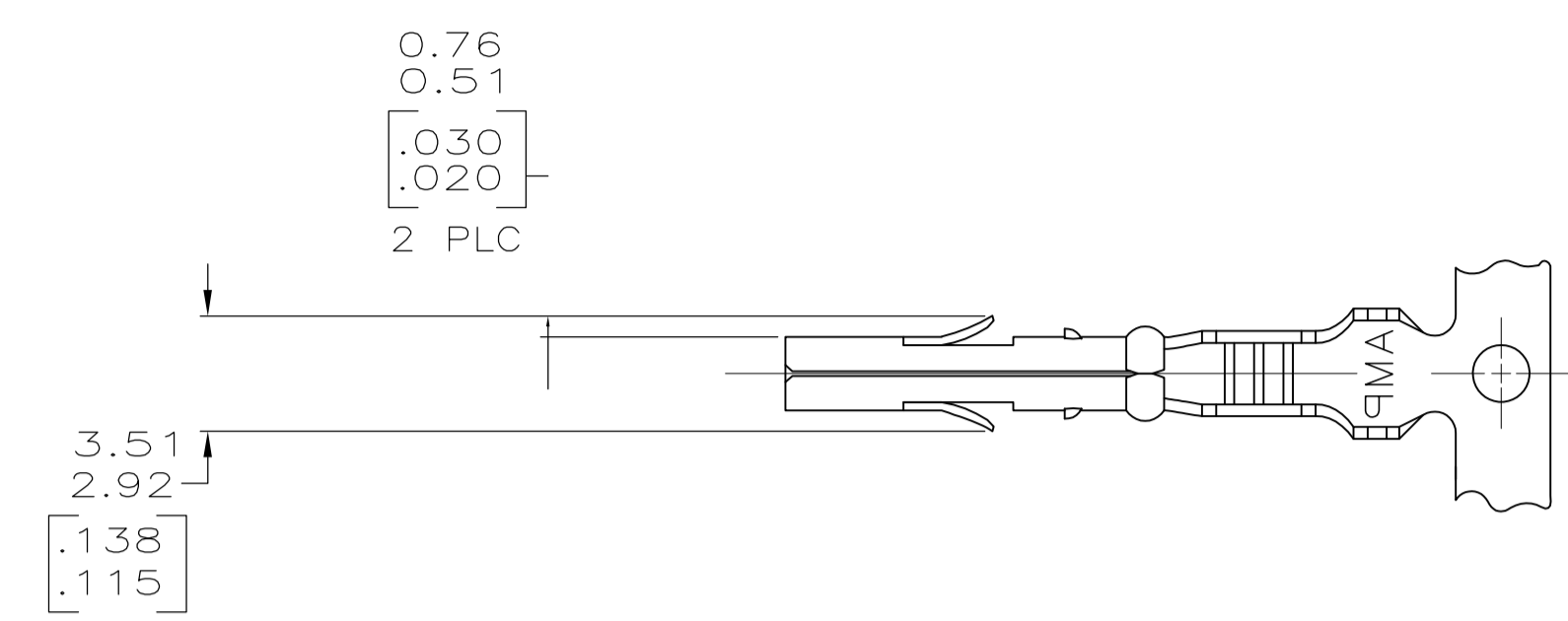


LOC		DIST		REVISIONS			
P	LTR	DESCRIPTION	DATE	DWN	APVD		
E1		ECO-07-028871	18JAN08	KW	CJ		

- 1 WIRE RANGE: 0.12-0.9mm² (26-18 AWG).
- 2 INSULATION RANGE: 1.27-2.92 [.050-.115] MAX. DIA.
- 3 DIMENSIONS IN BRACKETS ARE IN INCHES.
- 4 Δ PLATE INTERNALLY WITH 0.00076 [.000030] MIN GOLD IN THE LOCALIZED GOLD PLATE AREA, GOLD FLASH ON THE REMAINDER, OVER 0.00127 [.000050] MIN NICKEL UNDERPLATE.



Δ GOLD STRIPE	0.20 [.008] PHOS BRZ	641294-2
PRE-TIN	0.20 [.008] PHOS BRZ	641294-1
FINISH	MATERIAL	PART NO

THIS DRAWING IS A CONTROLLED DOCUMENT.		DIN 9-28-94	Tyco Electronics Corporation Harrisburg, PA 17105-3608	
DIMENSIONS: mm [INCHES]		CHK: K. SALMON	NAME: MR RECEPTACLE	
TOLERANCES UNLESS OTHERWISE SPECIFIED:		APPV: R. SWING	PRODUCT SPEC: -	
0 PLC ± -		APPLICATION SPEC: -		
1 PLC ± -		SIZE: A1		
2 PLC ± -		CAGE CODE: 00779		
3 PLC ± 0.13 [.005]		DRAWING NO: 641294		
4 PLC ± -		RESTRICTED TO: -		
ANGLES ± -		WEIGHT: -		
MATERIAL: SEE TABLE		CUSTOMER DRAWING		
FINISH: SEE TABLE		SCALE: 5:1		
		SHEET 1 OF 1		
		REV E1		

METRIC